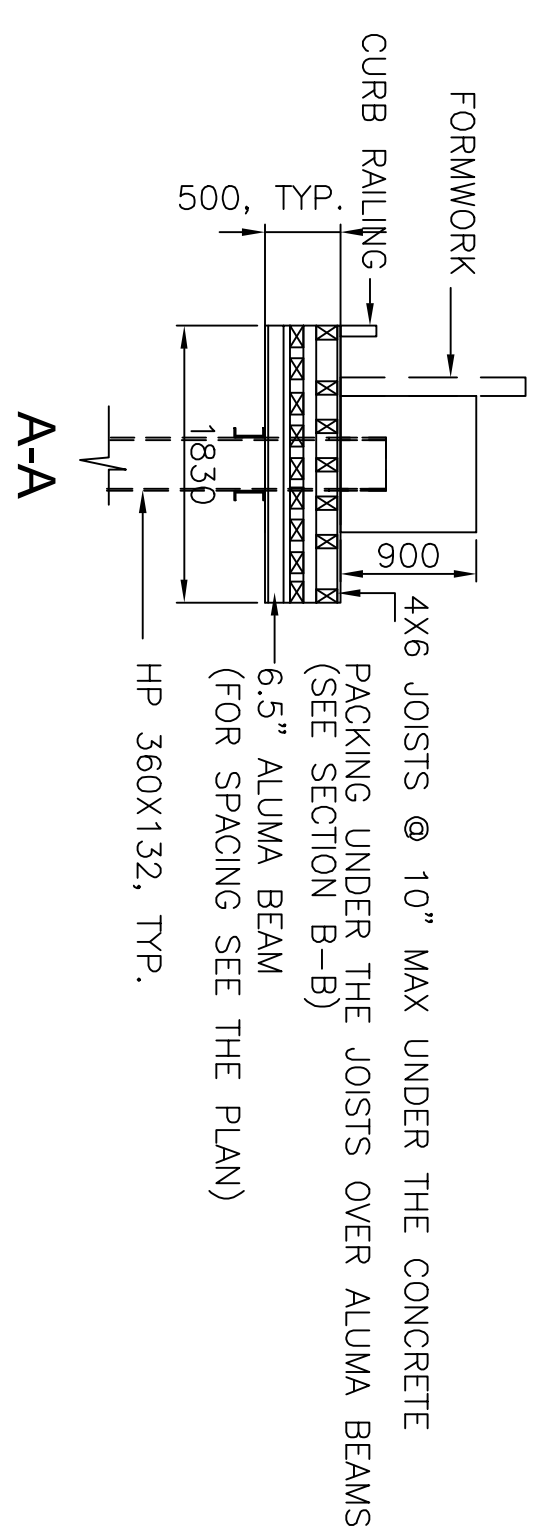
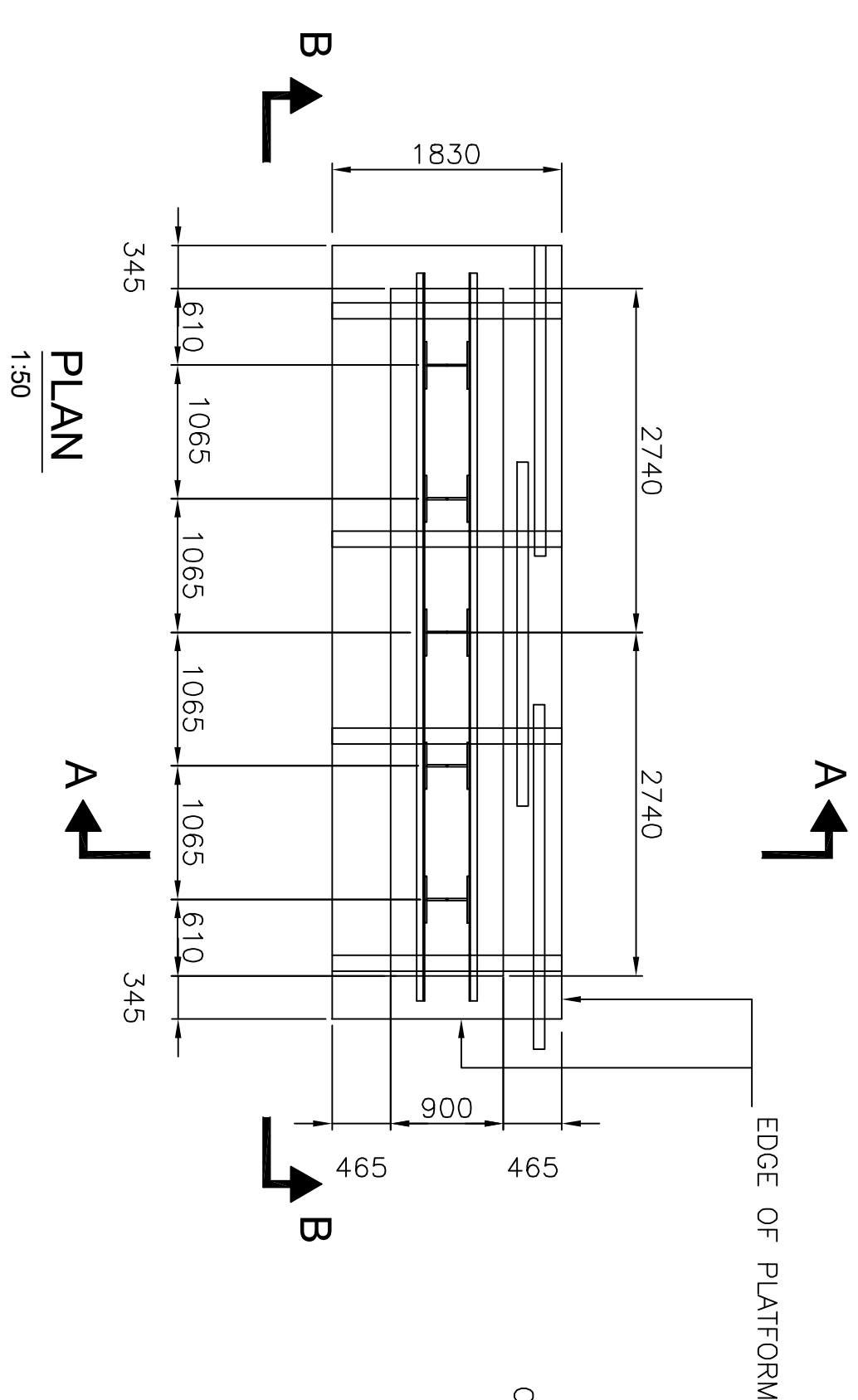
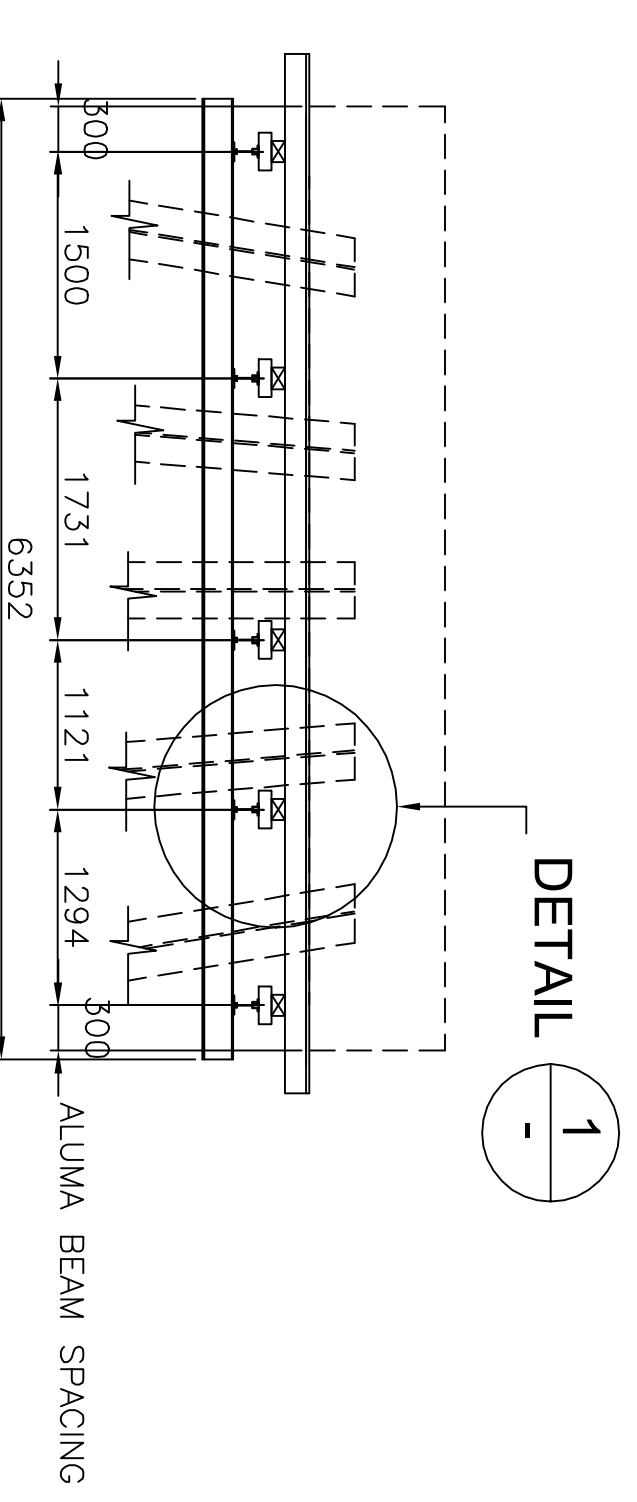
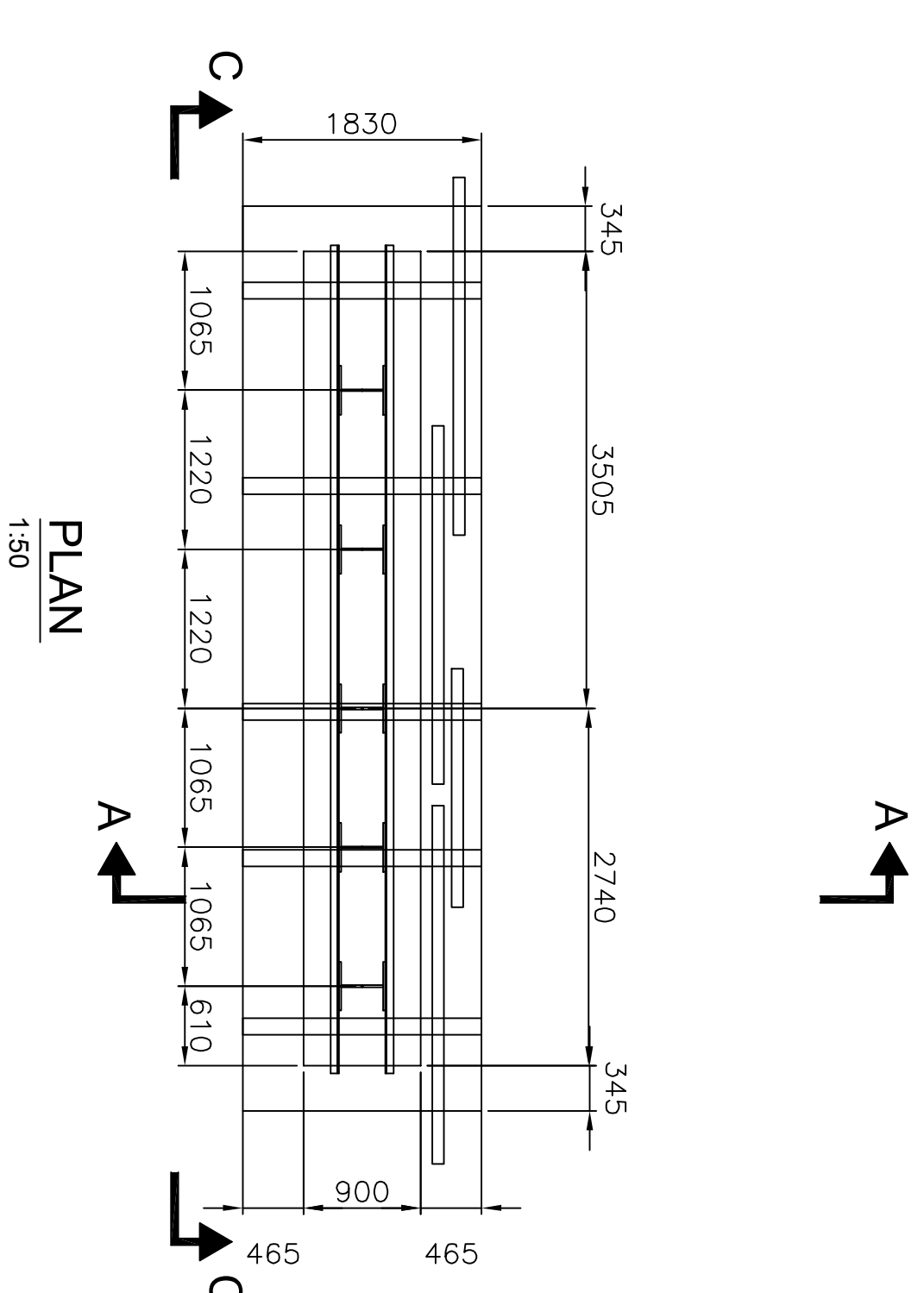


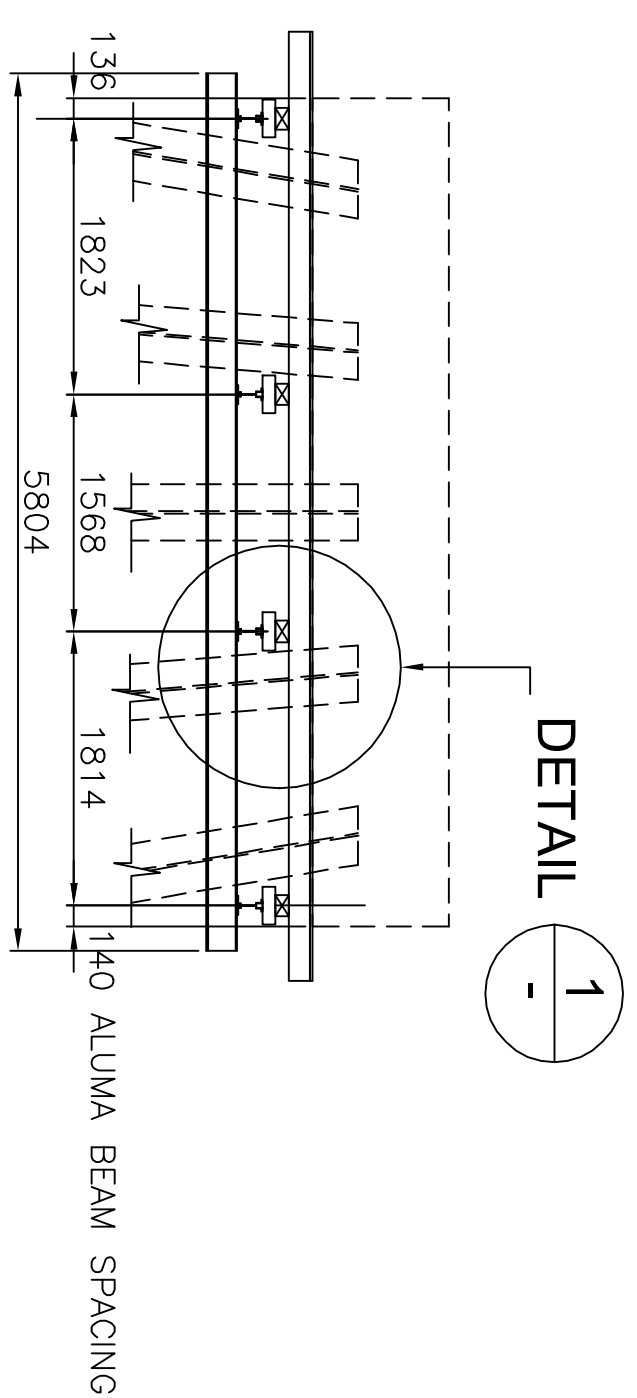
**PILE CAP SCAFFOLD
(BENT #49)**



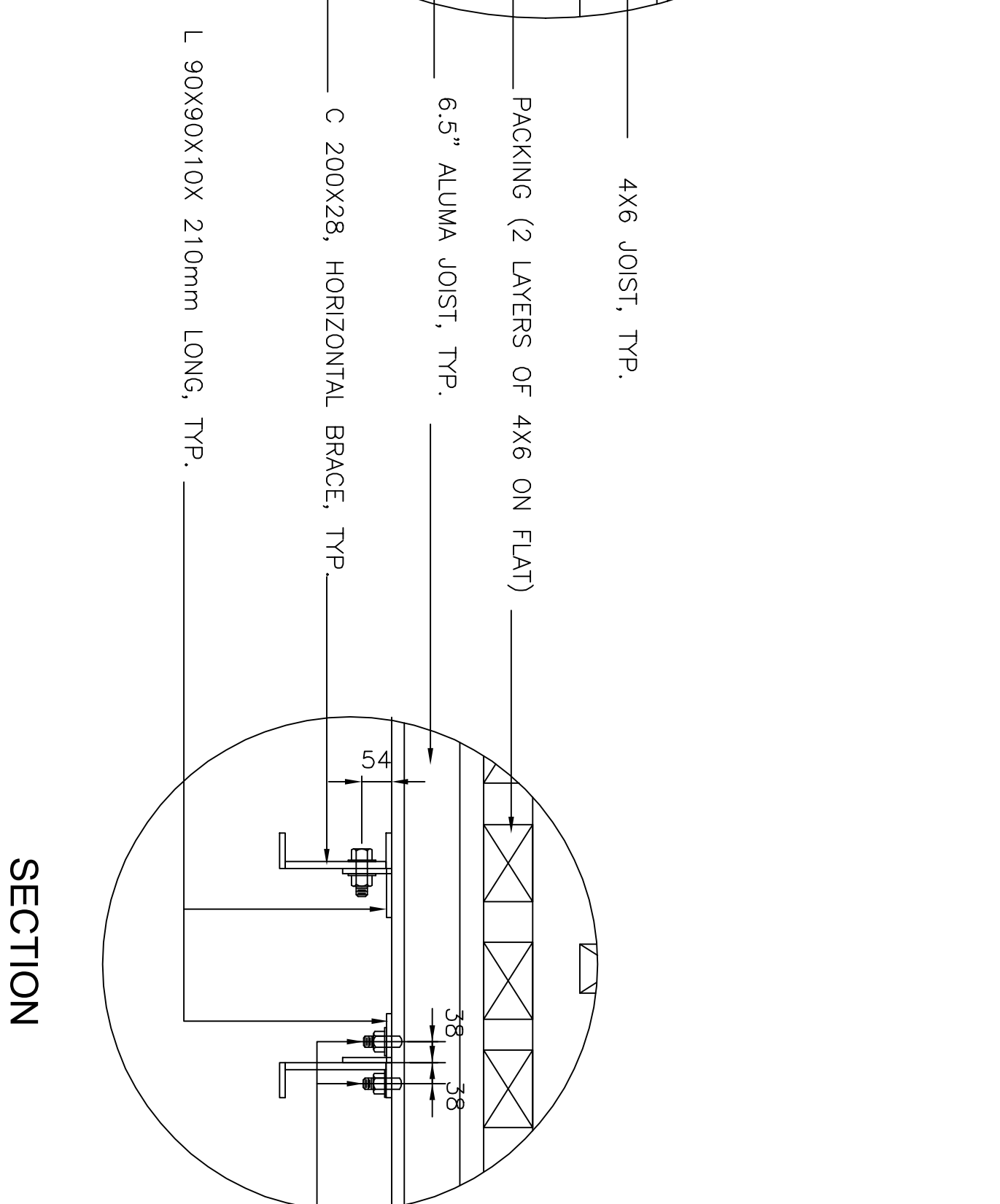
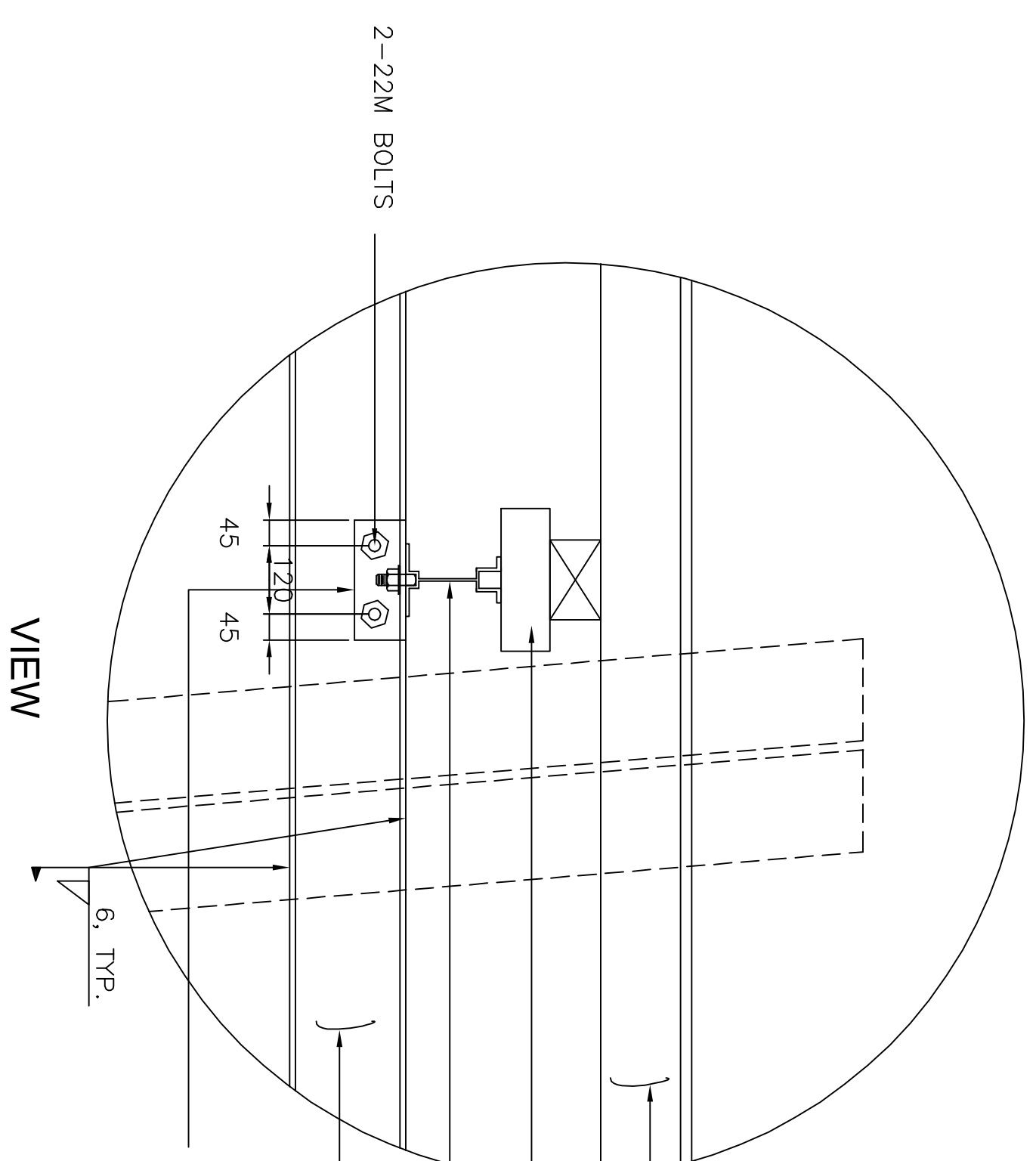
**PILE CAP SCAFFOLD
(BENT #50, #51)**



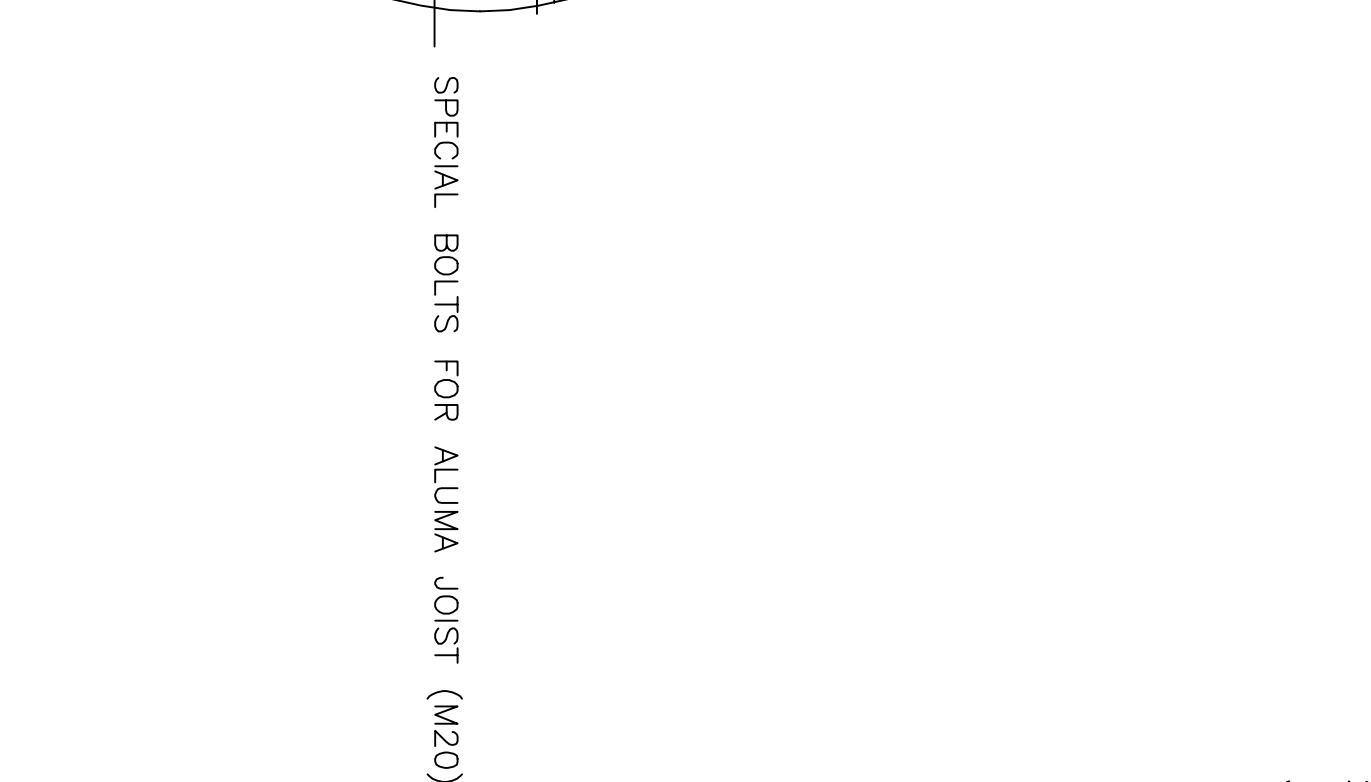
**SECTION B-B
1:50**



**DETAIL 1
1:10**



**SECTION
1:50**



- NOTES:**
1. TIMBER TO BE DOUGLAS FIR, NO. 2 OR BETTER GRADE
 2. FOR STEEL AND BOLTS SEE GENERAL NOTES
 3. 6.5" ALUMA BEAMS AS PER ALUMA SYSTEMS ENGINEERING OR EQUIVALENT

SENIOR STRUCTURAL ENGINEER

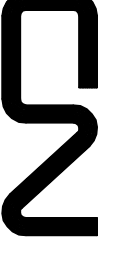
No.	Date	By/Par	Revision	Division	Mile	By/Par
	FEB 25, 2009		ISSUED FOR CONSTRUCTION	WEST	118.70	DGT

FRASER RIVER BRIDGE
NEW WESTMINSTER, B.C.
PILE CAP SCAFFOLD BENTS #46 TO #56

SHEET 1

Drawn	Designed	Checked	Scale	Date
DGT	DGT	PW	AS NOTED	FEB 25, 2009

Office of Chief Engineer
Bureau de l'ingénieur en chef



File 118.70 YALE Drawing Number AA553-118.70-20.37