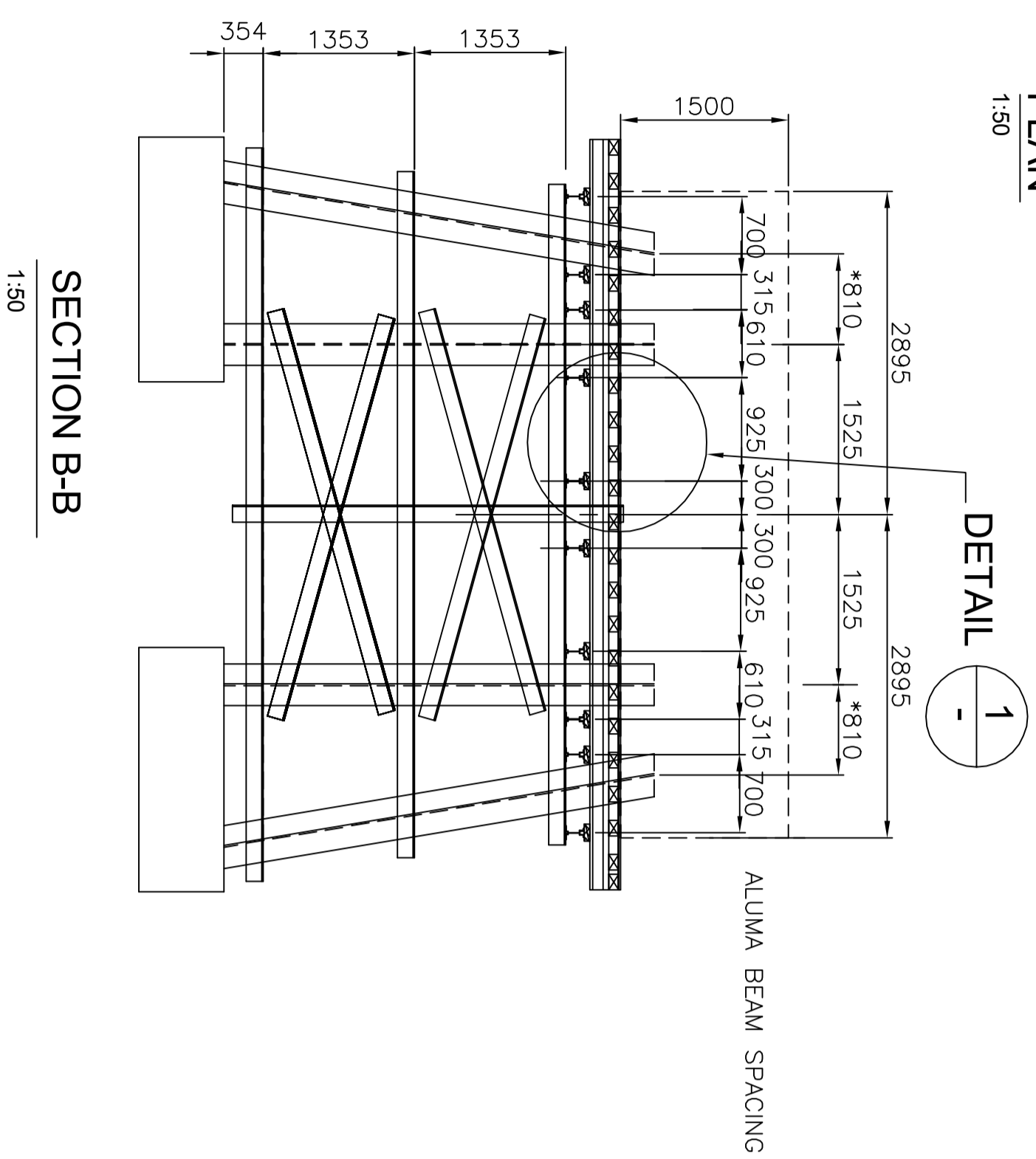
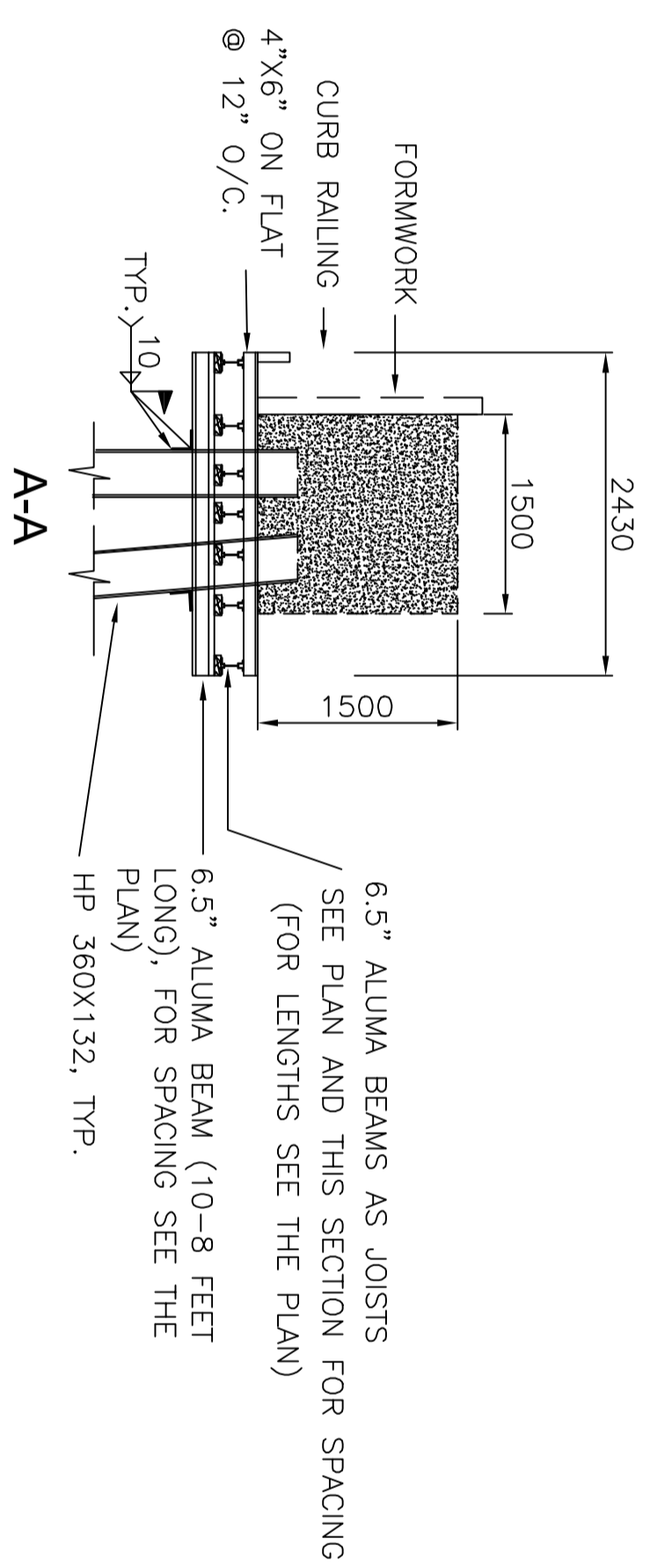
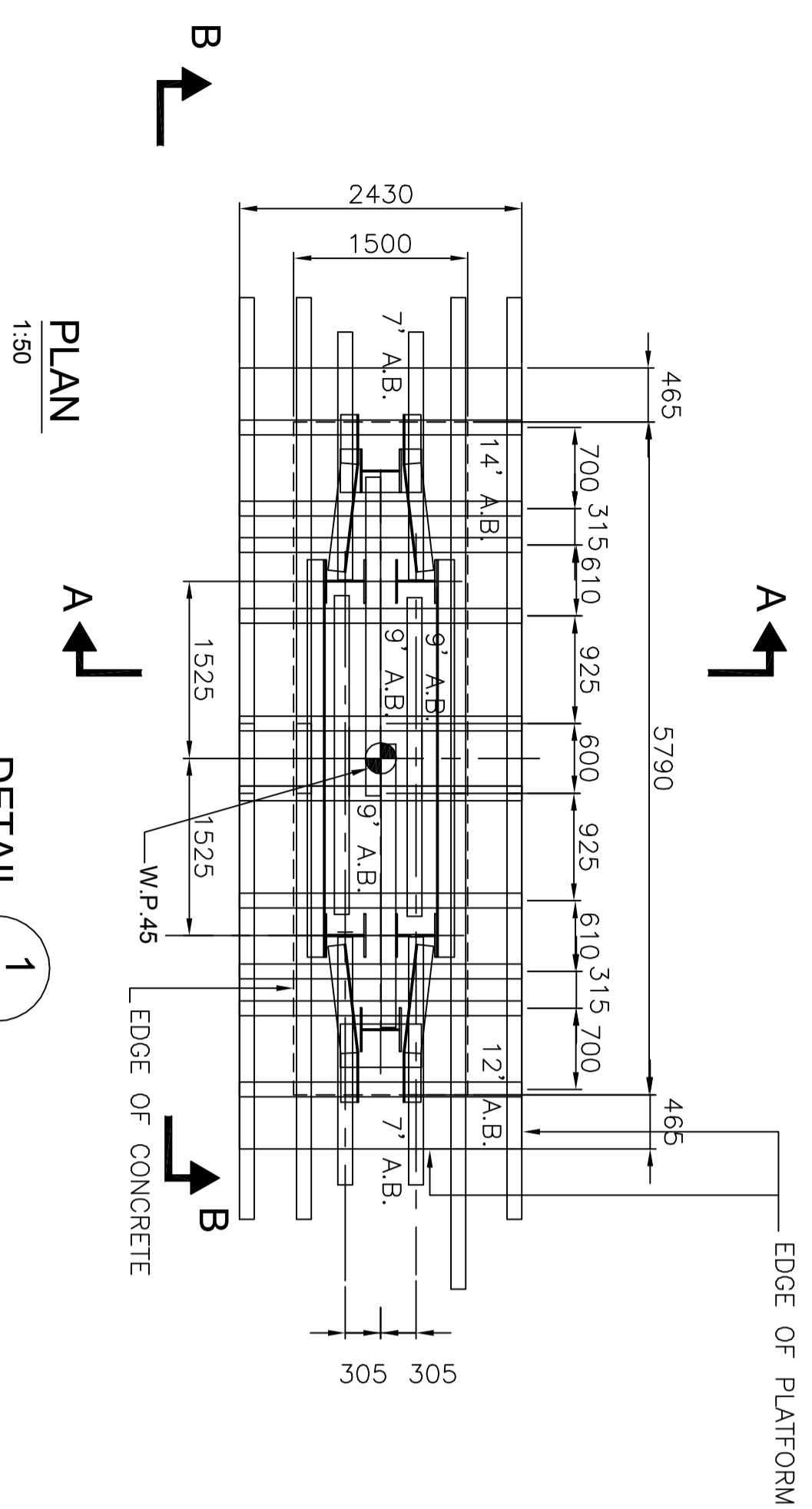
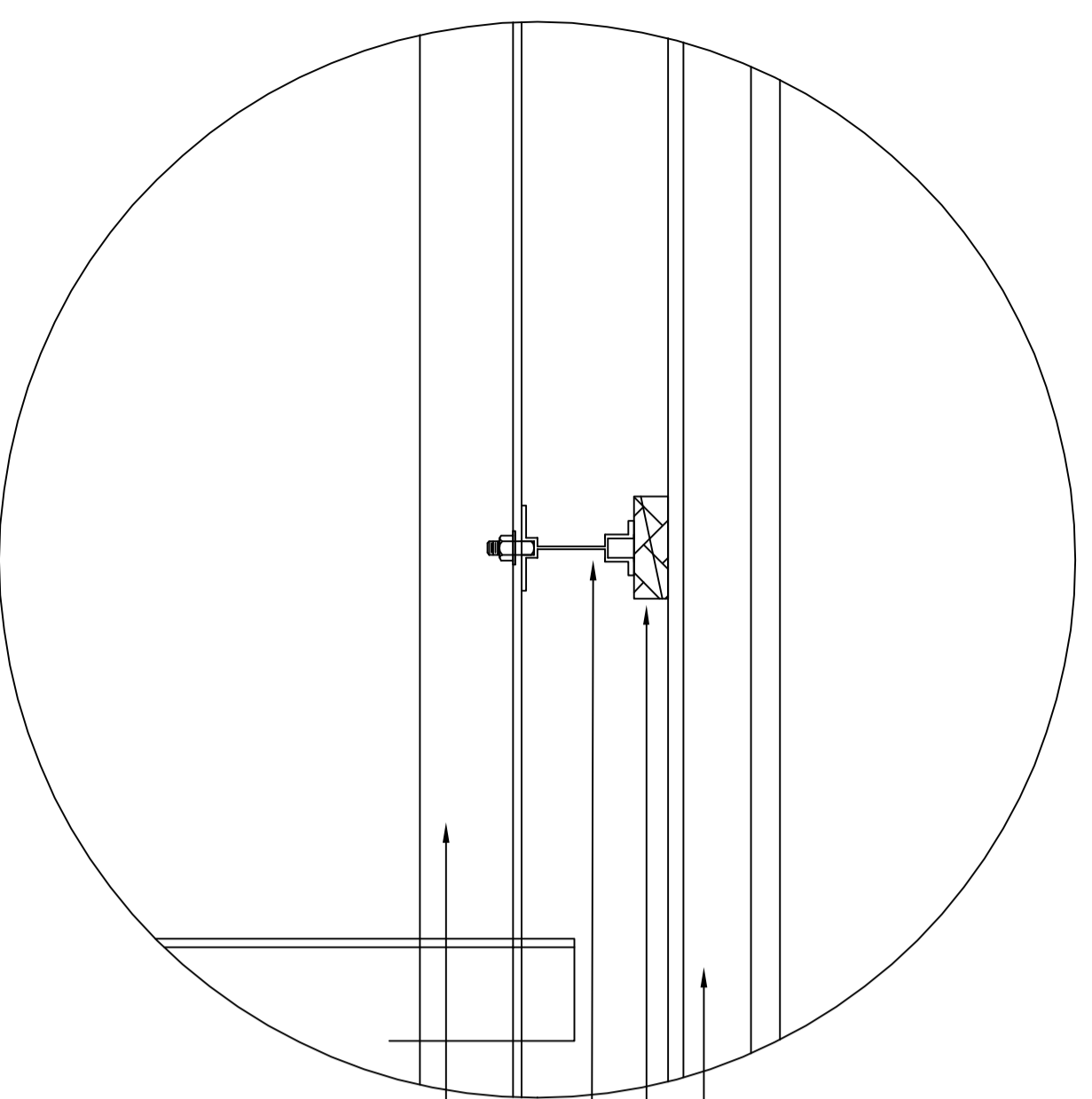


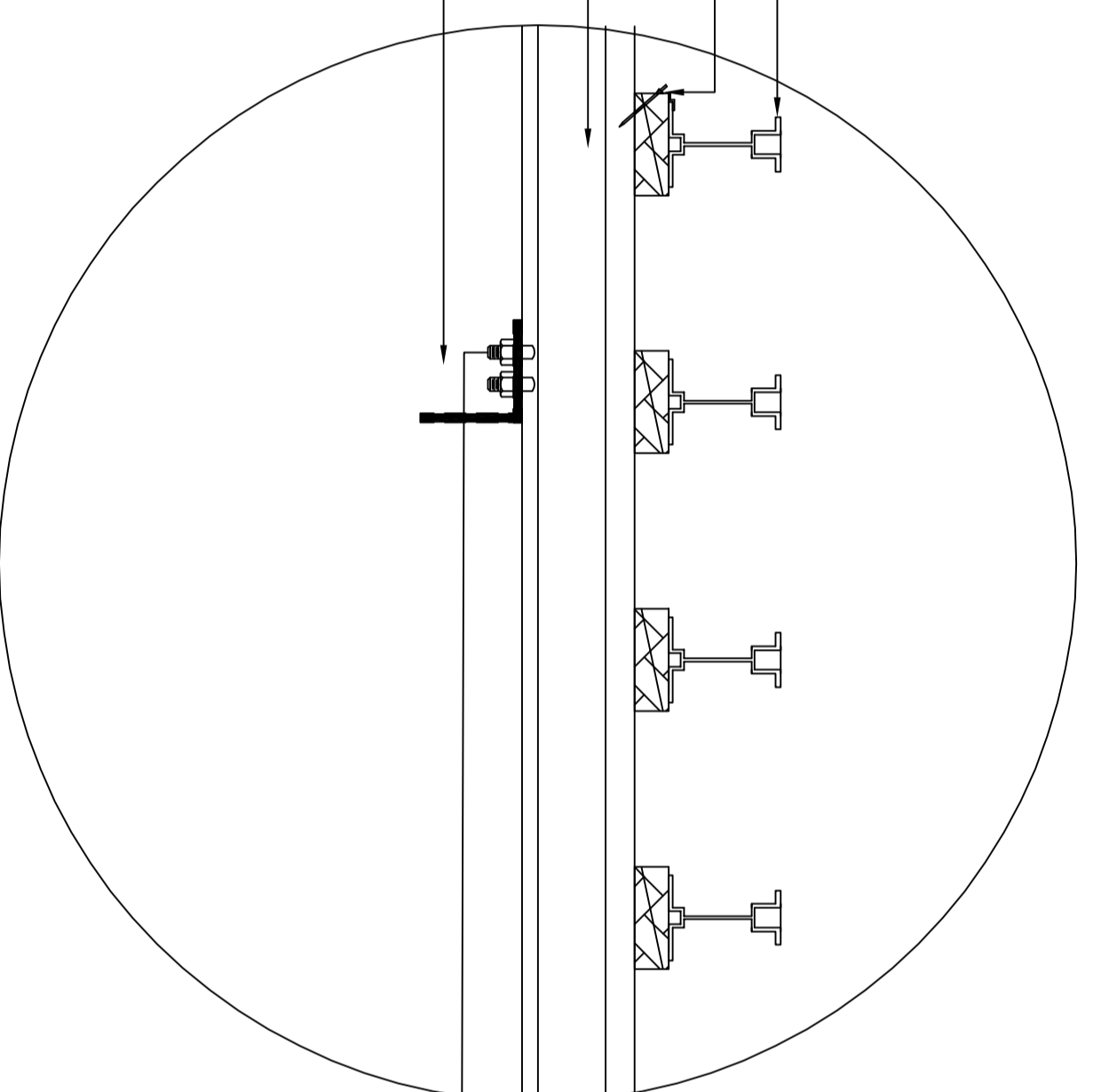
PILE CAP SCAFFOLD  
(BENT #45)



DETAIL 1  
1:10



VIEW



SECTION

- NOTES:
1. TIMBER TO BE DOUGLAS FIR, NO. 2 OR BETTER GRADE
  2. FOR STEEL AND BOLTS SEE GENERAL NOTES
  3. 6.5" ALUMINA BEAMS AS PER ALUMINA SYSTEMS ENGINEERING OR EQUIVALENT

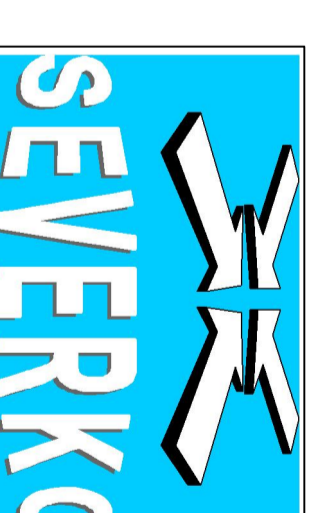
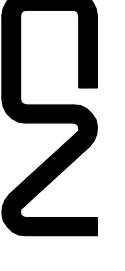
SENIOR STRUCTURAL ENGINEER

No.	DATE	ISSUED FOR CONSTRUCTION	REVISION	BY/PAR	DGT
MARCH 26, 09					
WEST			YALE		

FRASER RIVER BRIDGE  
NEW WESTMINSTER, B.C.  
PILE CAP SCAFFOLD BENTS #46 TO #56  
SHEET 3

Drawn	DGT	Designed	DGT	Checked	PW	Scale	AS	Date
Desain	Conception	Conception	Verification	Retelle	NOTED			MARCH 26 09

Office of Chief Engineer  
Bureau de l'Ingénieur en chef



File 118.70 YALE Drawing Number AA553-118.70-20.39 0